

SLIM SLIDES - PNEUMATIC VERSION

ROTOLIN
everything under control...

• SLIM SLIDES - PNEUMATIC VERSION •

INTRODUCTION

Used when isolating the flow of dry free flowing powders, granules and dust.

For use on various types of gravity feed applications, e.g. silos, hoppers, screw conveyors etc., where automatic operation is required.

WHY SLIM SLIDE

Rotolok's Slim-Slide has all the features of the Manual version, but can be operated remotely as required in process control.

IMPORTANT FEATURES

- Compact Design
- No Lodgement Points
- Dust Tight to Atmosphere on in-line applications
- Stainless Steel Slide Plate
- Aluminium Body
- Nylon Support Studs
- Stainless Steel Slide Plate
- Dust Seals
- Round and Square Inlets
- Complete with Solenoid Valve and Limit Switches

DESCRIPTION

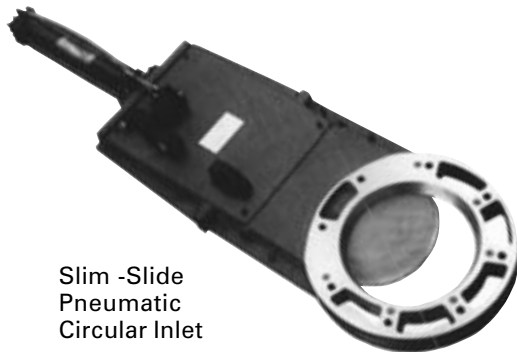
Valve is supplied complete with single solenoid spring return valve and limit switches to indicate open/closed positions.

Cylinder and solenoid is pre-piped ready for installation.

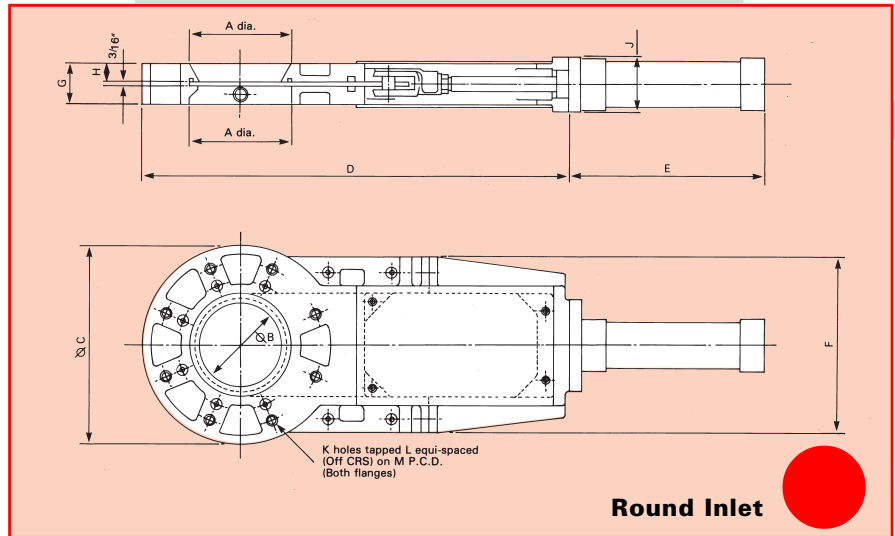
Its compact design is incorporated on applications where minimum space is available.

Manufactured on CNC machines ensuring:

- Quick Deliveries
- Interchangeability
- Accurate Components
- Cost Effectiveness
- Quality Control



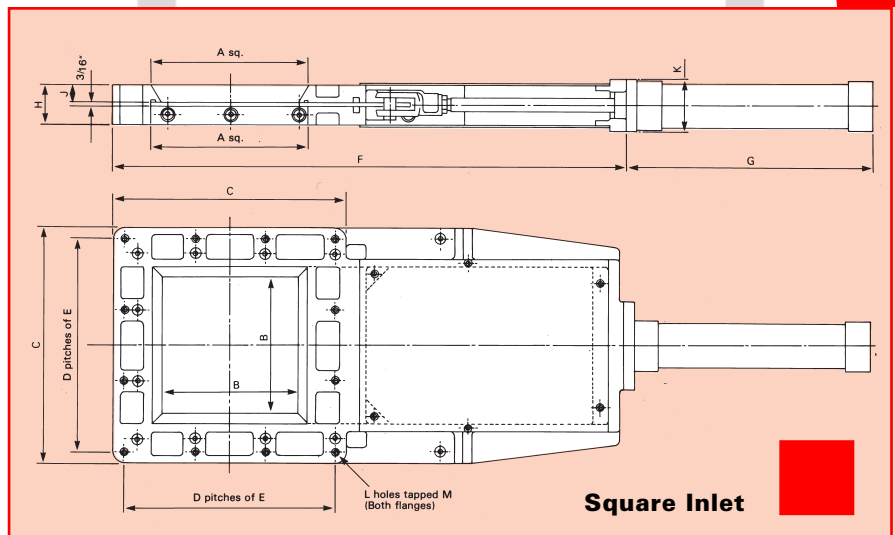
Slim -Slide
Pneumatic
Circular Inlet



		A	B	C	D	E	F	G	H	J	K	L	M
VALVE SIZE	125	125	100	240	527	245	215	50	22.5	67	8	M16	200
	150	150	125	285	600	270	250	50	22.5	67	8	M16	241
	200	200	175	320	701	320	300	50	22.5	67	8	M16	280
	250	250	225	370	842	385	338	50	22.5	75	8	M16	320
	300	300	275	440	977	435	400	50	22.5	75	12	M20	395
	350	350	325	533	1124	485	458	50	22.5	75	12	M20	445

Dimensions in millimetres unless stated

Dimensions subject to change without notice



		A	B	C	D	E	F	G	H	J	K	L	M
VALVE SIZE	150	150	125	250	3	70	559	270	50	22.5	67	12	M10
	200	200	175	300	3	90	656	320	50	22.5	67	12	M10
	250	250	225	338	3	101.5	747	385	50	22.5	75	12	M12
	300	300	275	400	3	119	859	435	50	22.5	75	12	M10
	350	350	325	458	3	140	967	485	50	22.5	75	12	M12

Dimensions in millimetres unless stated

Dimensions subject to change without notice