



SLIM SLIDES - MOTORIZED

ROTOLIN
everything under control...

• SLIM SLIDES - MOTORIZED •

INTRODUCTION

Used when isolating the flow of dry free flowing powders, granules and dust.

For use on various types of gravity feed applications, e.g. silos, hoppers, screw conveyors etc., where automatic operation is required.

WHY SLIM SLIDE

Rotolok's Slim-Slide has all the features of the Manual version, but can be operated remotely as required in process control.

IMPORTANT FEATURES

- Compact Design
- No Lodgement Points
- Dust Tight to Atmosphere on in-line applications
- Stainless Steel Slide Plate
- Aluminium Body
- Nylon Support Studs
- Stainless Steel Slide Plate
- Dust Seals
- Round and Square Inlets
- Complete with Limit Switches, as detailed on drawings

DESCRIPTION

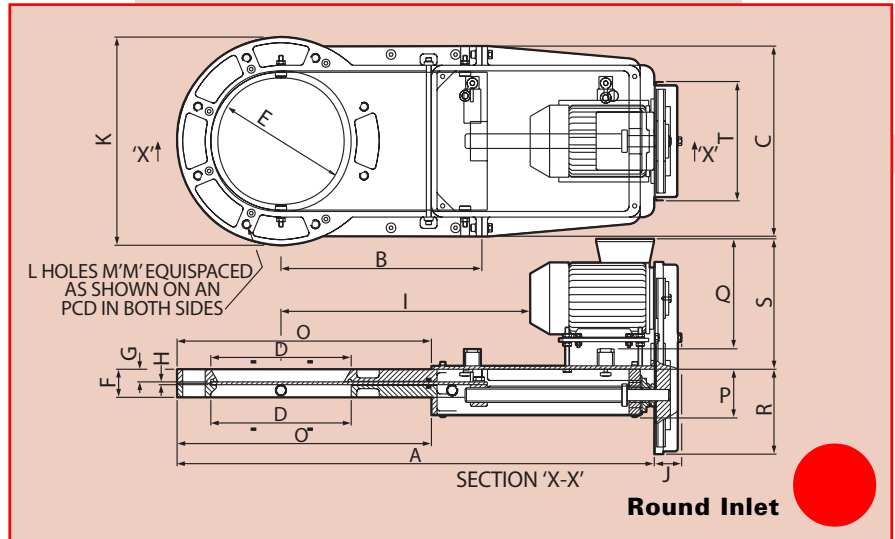
Valve is supplied complete with and limit switches to indicate open/closed positions.

Motor supplied with belt drive in enclosed guard.

Its compact design is incorporated on applications where minimum space is available.

Manufactured on CNC machines ensuring:

- Quick Deliveries
- Interchangeability
- Accurate Components
- Cost Effectiveness
- Quality Control

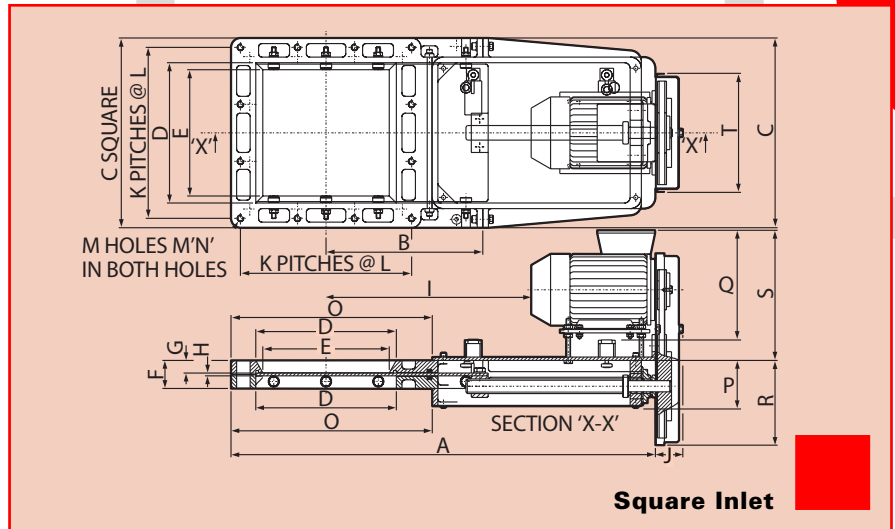


	A	B	C	ØD	ØE	F	G	H	I	J	ØK	L	M	N	O	P	Q	R	S	T	
VALVE SIZE	125	524	233	215	125	100	50	23	5	175	50	240	8	M16	200	263	85	37	151	240	212
	150	599	258	250	150	125	50	23	5	230	50	285	8	M16	241	311	85	37	151	240	212
	200	713	335	300	200	175	50	23	5	325	50	320	8	M16	280	360	85	37	151	240	212
	250	841	358	338	250	225	50	23	5	430	50	370	8	M16	320	453	85	37	151	240	212
	300	976	408	400	300	275	50	23	5	530	50	440	12	M20	395	538	85	37	151	240	212
	350	1110	458	458	350	325	50	23	5	615	50	533	12	M20	445	634	85	37	151	240	212

Dimensions in millimetres unless stated

Dimensions subject to change without notice

DRIVE SPEC: 0.37KW D71 FOOT MOUNTED TEFC MOTOR 1500 RPM
SUPPLY 240/400/3/50HZ COMPLETE WITH 'V' BELT DRIVE IN AN ENCLOSED GUARD



	A	B	C	D	E	F	G	H	I	J	K	L	M	N	O	P	Q	R	S	T	
VALVE SIZE	150	558	235	250	150	125	50	23	5	205	50	3	70	12	M10	270	85	37	151	240	212
	200	668	300	300	200	175	50	23	5	290	50	3	90	12	M10	315	85	37	151	240	212
	250	746	279	338	250	225	50	23	5	350	50	3	101.5	12	M12	358	85	37	151	240	212
	300	858	310	400	300	275	50	23	5	430	50	3	119	12	M10	420	85	37	151	240	212
	350	953	339	458	350	325	50	23	5	495	50	3	140	12	M12	478	85	37	151	240	212

Dimensions in millimetres unless stated

Dimensions subject to change without notice

DRIVE SPEC: 0.37KW D71 FOOT MOUNTED TEFC MOTOR 1500 RPM
SUPPLY 240/400/3/50HZ COMPLETE WITH 'V' BELT DRIVE IN AN ENCLOSED GUARD