



SLIM SLIDES - HAND OR CHAIN WHEEL

ROTOLIN

everything under control...

• SLIM SLIDES - HAND OR CHAIN WHEEL •

INTRODUCTION

Used when isolating the flow of dry free flowing powders, granules and dust.

For use on various types of gravity feed applications, e.g. silos, hoppers, screw conveyors etc., where automatic operation is required.

WHY SLIM SLIDE

Rotolok's Slim-Slide has all the features of the Manual version, but can be operated remotely as required in process control.

IMPORTANT FEATURES

- Compact Design
- No Lodgement Points
- Dust Tight to Atmosphere on in-line applications
- Stainless Steel Slide Plate
- Aluminium Body
- Nylon Support Studs
- Stainless Steel Slide Plate
- Dust Seals
- Round and Square Inlets
- Operation through a lead screw. If chain / chainwheel is required please specify length of chain.

DESCRIPTION

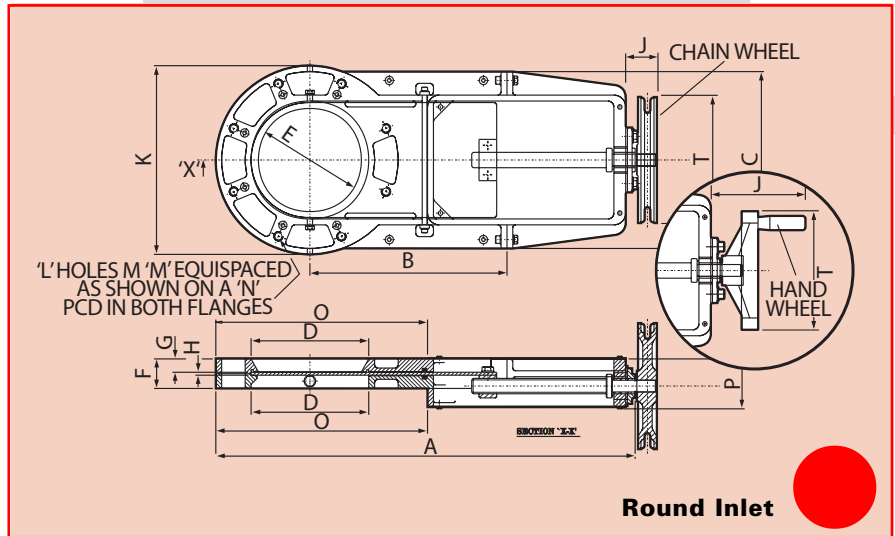
Valve is supplied complete with and limit switches to indicate open/closed positions.

Motor supplied with belt drive in enclosed guard.

Its compact design is incorporated on applications where minimum space is available.

Manufactured on CNC machines ensuring:

- Quick Deliveries
- Interchangeability
- Accurate Components
- Cost Effectiveness
- Quality Control

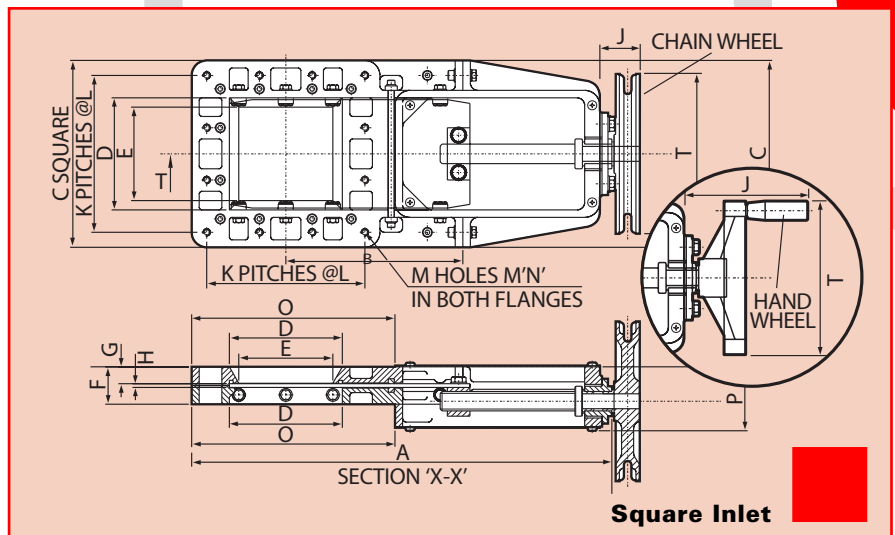


Round Inlet

		HAND WHEEL														CHAIN WHEEL				
		A	B	C	D	E	F	G	H	I	K	L	M	N	O	P	J	T	J	T
VALVE SIZE	125	524	233	215	125	100	50	23	5	N/A	240	8	M16	200	263	86	157	200	37	214
	150	599	258	250	150	125	50	23	5	N/A	285	8	M16	241	311	86	157	200	37	214
	200	713	335	300	200	175	50	23	5	N/A	320	8	M16	280	360	86	157	200	37	214
	250	841	358	338	250	225	50	23	5	N/A	370	8	M16	320	453	86	157	200	37	214
	300	976	408	400	300	275	50	23	5	N/A	440	12	M20	395	538	86	157	200	37	214
	350	1110	458	458	350	325	50	23	5	N/A	533	12	M20	445	634	86	157	200	37	214

Dimensions in millimetres unless stated

Dimensions subject to change without notice



Square Inlet

		HAND WHEEL														CHAIN WHEEL				
		A	B	C	D	E	F	G	H	I	K	L	M	N	O	P	J	T	J	T
VALVE SIZE	150	558	235	250	150	125	50	23	5	N/A	3	70	12	M10	270	86	157	200	37	214
	200	668	300	300	200	175	50	23	5	N/A	3	90	12	M10	315	86	157	200	37	214
	250	746	279	338	250	225	50	23	5	N/A	3	101.5	12	M12	358	86	157	200	37	214
	300	858	310	400	300	275	50	23	5	N/A	3	119	12	M10	420	86	157	200	37	214
	350	953	339	458	350	325	50	23	5	N/A	3	140	12	M12	478	86	157	200	37	214

Dimensions in millimetres unless stated

Dimensions subject to change without notice